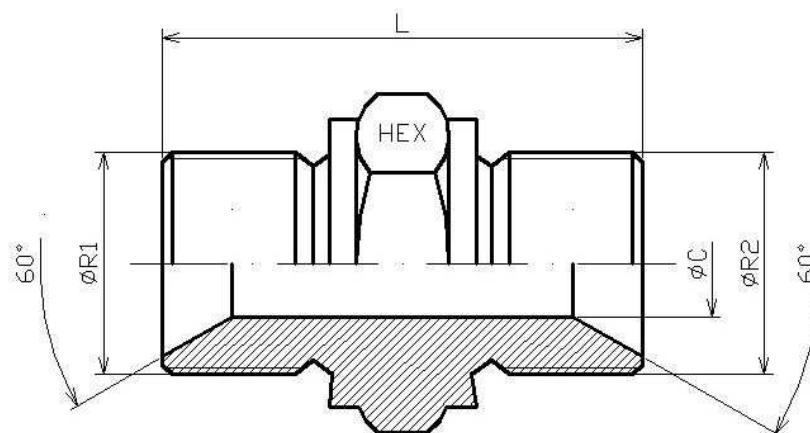


Adaptadores BSP

Uniones rectas macho

Adaptador macho - macho BSP cono 60°**FLUIDAL**

Acero Inoxidable AISI 316-L

1/1

Artículo	R1	R2	L	HEX 1	ØC
Z101002	1/8" BSP	1/8" BSP	25	14	5
Z101004	1/4" BSP	1/4" BSP	32	17	6
Z101004H19	1/4" BSP	1/4" BSP	30	19	6
Z101006	3/8" BSP	3/8" BSP	35	22	8
Z101008	1/2" BSP	1/2" BSP	43	27	11
Z101010	5/8" BSP	5/8" BSP	45	30	14
Z101012	3/4" BSP	3/4" BSP	45	32	16
Z101016	1" BSP	1" BSP	54	41	22
Z101020	1"1/4 BSP	1"1/4 BSP	58	50	28
Z101024	1"1/2 BSP	1"1/2 BSP	62	55	33
Z101032	2" BSP	2" BSP	71	65	46
Z101032H70	2" BSP	2" BSP	71	70	46

Adaptadores BSP

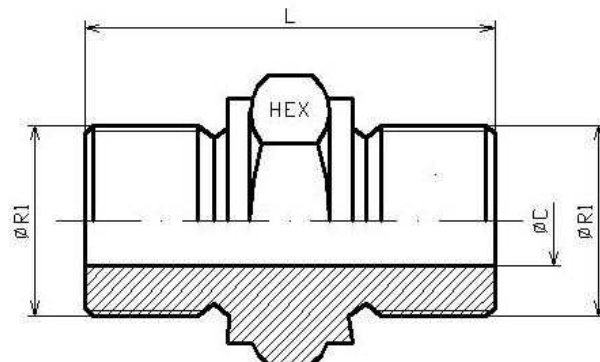
Uniones rectas macho

Adaptador macho - macho BSP asiento plano



Acero Inoxidable AISI 316-L

1/1



Artículo	R1	R2	L	HEX 1	ØC
Z101104	1/4 BSP	1/4 BSP	32	17	6
Z101106	3/8 BSP	3/8 BSP	35	22	8
Z101108	1/2 BSP	1/2 BSP	43	27	11
Z101112	3/4 BSP	3/4 BSP	45	32	16
Z101116	1" BSP	1" BSP	54	41	22
Z101120	1"1/4 BSP	1"1/4 BSP	58	50	28
Z101124	1"1/2 BSP	1"1/2 BSP	62	55	33
Z101132	2" BSP	2" BSP	71	65	46

Adaptadores BSP

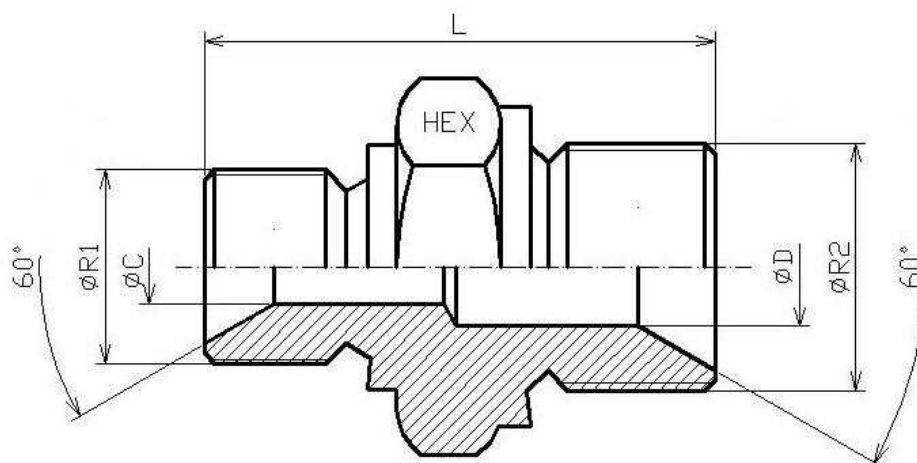
Uniones rectas macho

Reductor macho - macho BSP cono 60º



Acero Inoxidable AISI 316-L

1/1



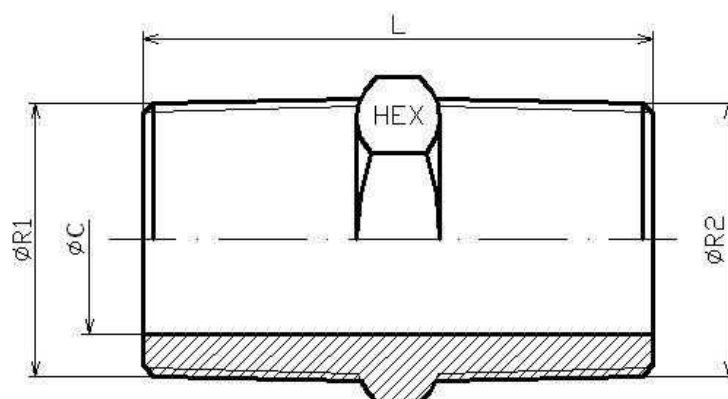
Artículo	R1	R2	L	HEX 1	ØC	ØD
Z10200204	1/8" BSP	1/4" BSP	29	17	4	5
Z10200204H19	1/8" BSP	1/4" BSP	28	19	3,5	4,7
Z10200206	1/8" BSP	3/8" BSP	30,5	22	3,5	8
Z10200406	1/4" BSP	3/8" BSP	34,5	22	5	8
Z10200408	1/4" BSP	1/2" BSP	38,5	27	5	11
Z10200412	1/4" BSP	3/4" BSP	39,5	32	4,7	16,7
Z10200608	3/8" BSP	1/2" BSP	40	27	8	11
Z10200612	3/8" BSP	3/4" BSP	41	32	8	16
Z10200812	1/2" BSP	3/4" BSP	44	32	11	16
Z10200816	1/2" BSP	1" BSP	49,5	41	11	22
Z10201008	5/8" BSP	1/2" BSP	44	30	11	14
Z10201012	5/8" BSP	3/4" BSP	45	32	14	16
Z10201216	3/4" BSP	1" BSP	50,5	41	16	22
Z10201220	3/4" BSP	1"1/4" BSP	52,5	50	16	28
Z10201620	1" BSP	1"1/4" BSP	56	50	22	28
Z10201624	1" BSP	1"1/2" BSP	59	55	22	33
Z10202024	1"1/4" BSP	1"1/2" BSP	61	55	28	33
Z10202032	1"1/4" BSP	2" BSP	64	65	28	46
Z10202432	1"1/2" BSP	2" BSP	65,5	65	33	45
Z10202432H70	1"1/2" BSP	2" BSP	67,5	70	33,3	46

Adaptadores BSP

Uniones rectas macho

Adaptador macho - macho BSPT

Acero Inoxidable AISI 316-L

1/1

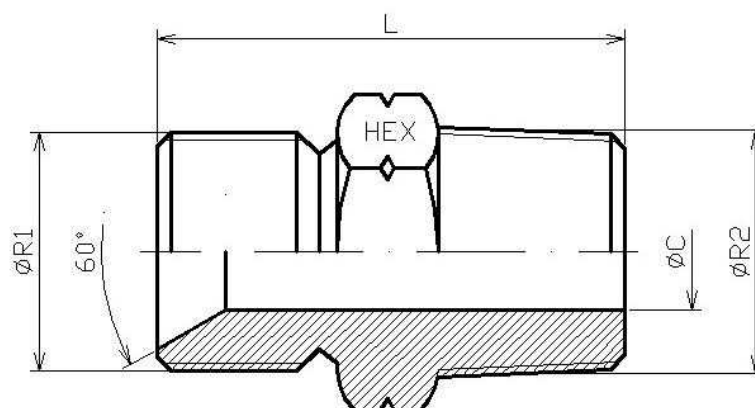
Artículo	R1	R2	L	HEX 1	ØC
Z10160404	1/4" BSPT	1/4" BSPT	33	17	6
Z10160606	3/8" BSPT	3/8" BSPT	34	19	8
Z10160808	1/2" BSPT	1/2" BSPT	45	22	11
Z10161212	3/4" BSPT	3/4" BSPT	48	27	17,5
Z10161616	1" BSPT	1" BSPT	57	36	23
Z10162020	1" 1/4 BSPT	1" 1/4 BSPT	62	46	26
Z10162424	1" 1/2 BSPT	1" 1/2 BSPT	64	50	32
Z10163232	2" BSPT	2" BSPT	75	65	45

Adaptadores BSP

Uniones rectas macho

Adaptador macho BSP 60° - macho NPT

Acero Inoxidable AISI 316-L

1/1

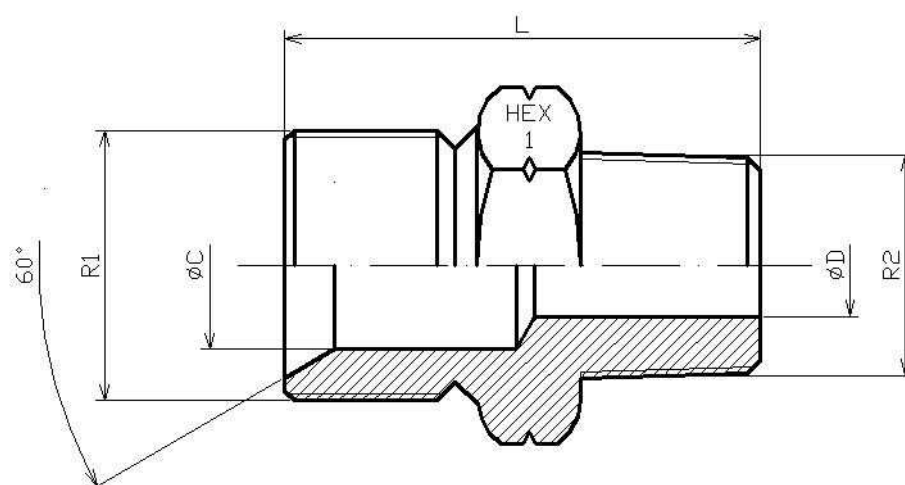
Artículo	R1	R2	L	HEX 1	ØC
Z101402	1/8" BSP	1/8" NPT	23,5	11	4
Z101404	1/4" BSP	1/4" NPT	30,5	17	6
Z101406	3/8" BSP	3/8" NPT	32	19	8
Z101408	1/2" BSP	1/2" NPT	40,5	22	11
Z101412	3/4" BSP	3/4" NPT	44	27	17,5
Z101416	1" BSP	1" NPT	52	36	22
Z101420	1"1/4 BSP	1"1/4 NPT	56	46	26
Z101424	1"1/2 BSP	1"1/2 NPT	59	50	32
Z101432	2" BSP	2" NPT	69	65	46

Adaptadores BSP

Uniones rectas macho

Reductor macho BSP 60° - macho NPT**FLUIDAL**

Acero Inoxidable AISI 316-L

1/1

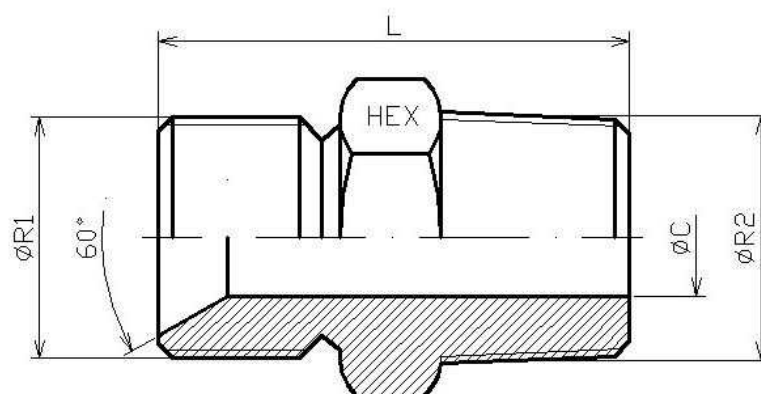
Artículo	R1	R2	L	HEX 1	ØC	ØD
Z10240204	1/8" BSP	1/4" NPT	27,5	17	4	4
Z10240402	1/4" BSP	1/8" NPT	27,5	17	5	5
Z10240406	1/4" BSP	3/8" NPT	31	17	5	5
Z10240408	1/4" BSP	1/2" NPT	37,5	22	6	6
Z10240604	3/8" BSP	1/4" NPT	31,5	19	6	6
Z10240608	3/8" BSP	1/2" NPT	38,5	22	8	8
Z10240612	3/8" BSP	3/4" NPT	40	27	8	17,5
Z10240806	1/2" BSP	3/8" NPT	36	22	8	8
Z10240812	1/2" BSP	3/4" NPT	42	27	11	17,5
Z10241012	5/8" BSP	3/4" NPT	44	27	14	14
Z10241204	3/4" BSP	1/4" NPT	37,5	27	17,5	6
Z10241206	3/4" BSP	3/8" NPT	38	28	17,5	8
Z10241208	3/4" BSP	1/2" NPT	42,5	27	17,5	11
Z10241216	3/4" BSP	1" NPT	49	36	17,5	22
Z10241220	3/4" BSP	1" 1/4 NPT	54,5	46	17,5	26
Z10241224	3/4" BSP	1" 1/2 NPT	53	50	17,5	32
Z10241608	1" BSP	1/2" NPT	46,5	36	22	11
Z10241612	1" BSP	3/4" NPT	48	36	22	17,5
Z10241620	1" BSP	1" 1/4 NPT	55	46	22	26
Z10242016	1" 1/4 BSP	1" NPT	54	46	26	22
Z10242024	1" 1/4 BSP	1" 1/2 NPT	57	50	26	32
Z10242420	1" 1/2 BSP	1" 1/4 NPT	58	50	30	30
Z10242432	1" 1/2 BSP	2" NPT	66	65	30	46
Z10243224	2" BSP	1" 1/2 NPT	65	65	46	32

Adaptadores BSP

Uniones rectas macho

Adaptador macho BSP 60° - macho BSPT**FLUIDAL**

Acero Inoxidable AISI 316-L

1/1

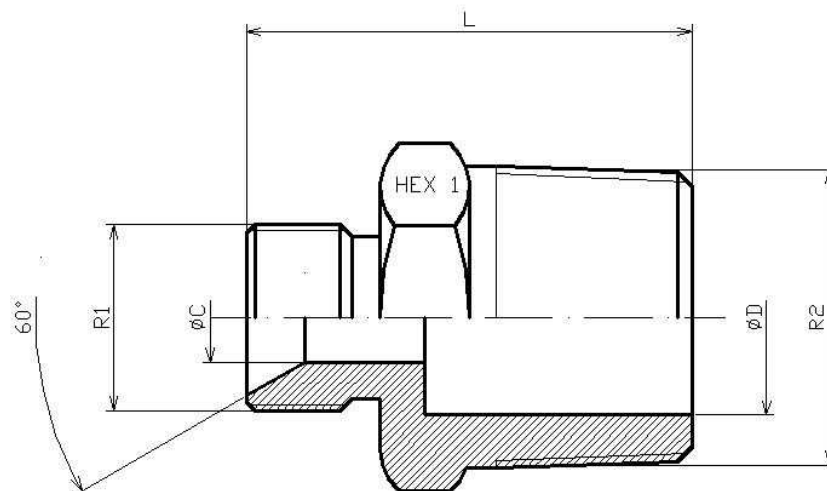
Artículo	R1	R2	L	HEX 1	ØC
Z101202	1/8" BSP	1/8" BSPT	23,5	11	4
Z101204	1/4" BSP	1/4" BSPT	30,5	17	6
Z101206	3/8" BSP	3/8" BSPT	32	19	8
Z101208	1/2" BSP	1/2" BSPT	38	22	11
Z101212	3/4" BSP	3/4" BSPT	44	27	17,5
Z101216	1" BSP	1" BSPT	52	36	22
Z101220	1"1/4 BSP	1"1/4 BSPT	56	46	26
Z101224	1"1/2 BSP	1"1/2 BSPT	59	50	32
Z101232	2" BSP	2" BSPT	69	65	46

Adaptadores BSP

Uniones rectas macho

Reductor macho BSP 60° - macho BSPT**FLUIDAL**

Acero Inoxidable AISI 316-L

1/1

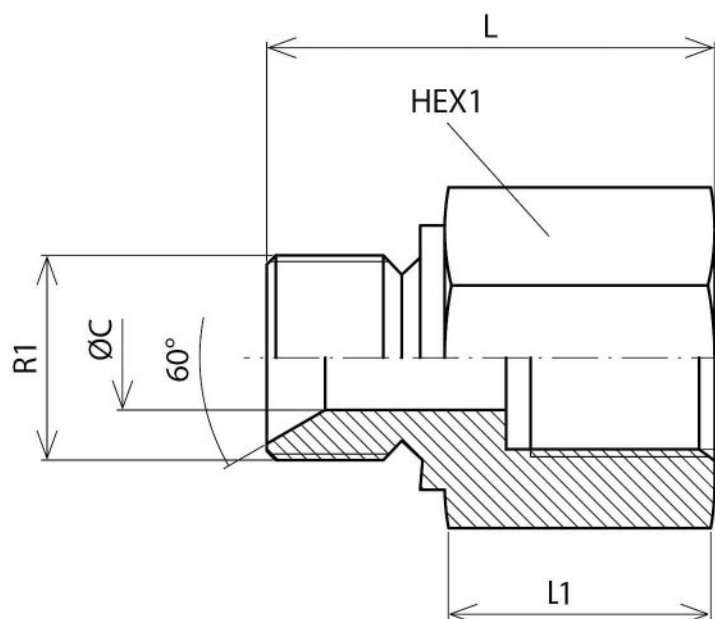
Artículo	R1	R2	L	HEX 1	ØC	ØD
Z10220204	1/8" BSP	1/4" BSPT	28,5	17	3,5	8
Z10220402	1/4" BSP	1/8" BSPT	27,5	17	5	5
Z10220406	1/4" BSP	3/8" BSPT	31	19	6	6
Z10220408	1/4" BSP	1/2" BSPT	37,5	22	6	6
Z10220412	1/4" BSP	3/4" BSPT	41	27	5	18
Z10220608	3/8" BSP	1/2" BSPT	38,5	22	8	8
Z10220612	3/8" BSP	3/4" BSPT	40	27	8	17,5
Z10220804	1/2" BSP	1/4" BSPT	35,5	22	11	6
Z10220806	1/2" BSP	3/8" BSPT	36	22	11	8
Z10220812	1/2" BSP	3/4" BSPT	42	27	11	17,5
Z10220816	1/2" BSP	1" BSPT	47	36	11	22
Z10221012	5/8" BSP	3/4" BSPT	44	27	14	14
Z10221204	3/4" BSP	1/4" BSPT	37,5	27	17,5	6
Z10221206	3/4" BSP	3/8" BSPT	38	27	17,5	8
Z10221208	3/4" BSP	1/2" BSPT	42,5	27	17,5	11
Z10221216	3/4" BSP	1" BSPT	49	36	17,5	22
Z10221612	1" BSP	3/4" BSPT	48	36	22	17,5
Z10221620	1" BSP	1"1/4 BSPT	55	46	22	26
Z10222016	1"1/4 BSP	1" BSPT	54	46	26	22
Z10222024	1"1/4 BSP	1"1/2 BSPT	57	50	26	32
Z10222420	1 1/2" BSP	1 1/4" BSPT	58	50	30	30
Z10222432	1"1/2 BSP	2" BSPT	66	65	32	46

Adaptadores BSP

Uniones rectas macho-hembra

Prolongador macho BSP 60° - hembra fija BSP**FLUIDAL**

Acero Inoxidable AISI 316-L

1/1

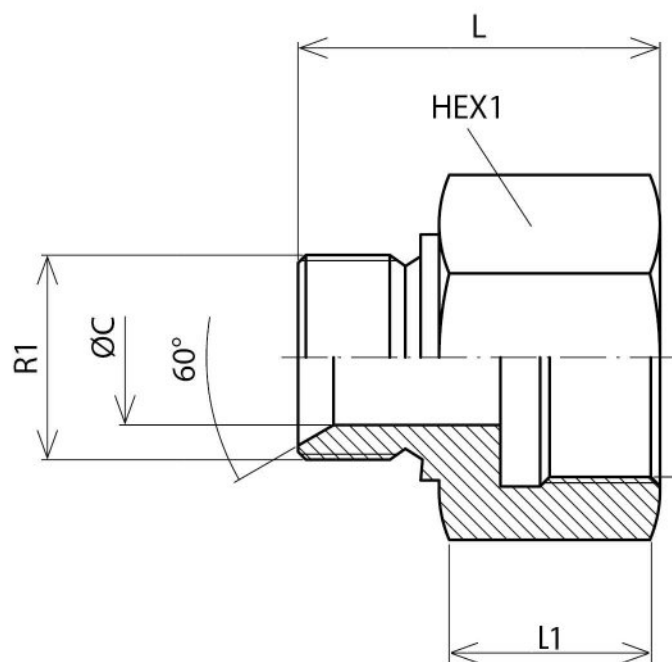
Artículo	R1	R2	L	L1	HEX 1	ØC
Z106002	M 1/8" BSP	H 1/8" BSP	28,5	18	17	5
Z106004	M 1/4" BSP	H 1/4" BSP	34	21	19	4,7
Z106006	M 3/8" BSP	H 3/8" BSP	31	17	22	7,9
Z106008	M 1/2" BSP	H 1/2" BSP	41,5	24	27	11,1
Z106012	M 3/4" BSP	H 3/4" BSP	44,5	26,5	36	16,7
Z106016	M 1" BSP	H 1" BSP	50,5	28,5	41	22
Z106020	M 1"1/4 BSP	H 1"1/4 BSP	55	32	50	28,6
Z106024	M 1"1/2 BSP	H 1"1/2 BSP	64,5	40	55	33,3
Z106032	M 2" BSP	H 2" BSP	68	40	70	46

Adaptadores BSP

Uniones rectas macho-hembra

Reductor macho BSP 60° - hembra fija BSP**FLUIDAL**

Acero Inoxidable AISI 316-L

1/1

Artículo	R1	R2	L	L1	HEX 1	ØC
Z10600204	M 1/8" BSP	H 1/4" BSP	30	21	19	3,5
Z10600206	M 1/8" BSP	H 3/8" BSP	33	22	22	4
Z10600402	M 1/4" BSP	H 1/8" BSP	28,5	15,2	19	5
Z10600406	M 1/4" BSP	H 3/8" BSP	35	22	24	5
Z10600408	M 1/4" BSP	H 1/2" BSP	38	25	27	4,7
Z10600604	M 3/8" BSP	H 1/4" BSP	36	22	22	7,9
Z10600608	M 3/8" BSP	H 1/2" BSP	39	25	27	7,9
Z10600804	M 1/2" BSP	H 1/4" BSP	37	22	27	11,5
Z10600806	M 1/2" BSP	H 3/8" BSP	39,5	28	27	11
Z10600812	M 1/2" BSP	H 3/4" BSP	45,5	28	32	11
Z10601206	M 3/4" BSP	H 3/8" BSP	40	22	32	15,4
Z10601208	M 3/4" BSP	H 1/2" BSP	40	22	32	16
Z10601216	M 3/4" BSP	H 1" BSP	46,5	28,5	41	16
Z10601612	M 1" BSP	H 3/4" BSP	50,5	28,5	41	22
Z10601620	M 1" BSP	H 1"1/4 BSP	58	36	55	22,2
Z10602016	M 1"1/4 BSP	H 1" BSP	53,5	28	50	30
Z10602420	M 1"1/2 BSP	H 1"1/4 BSP	60,5	36	55	33,3
Z10602432	M 1"1/2 BSP	H 2" BSP	65	40	70	33
Z10603224	M 2" BSP	H 1"1/2 BSP	68	40	70	46

Adaptadores BSP

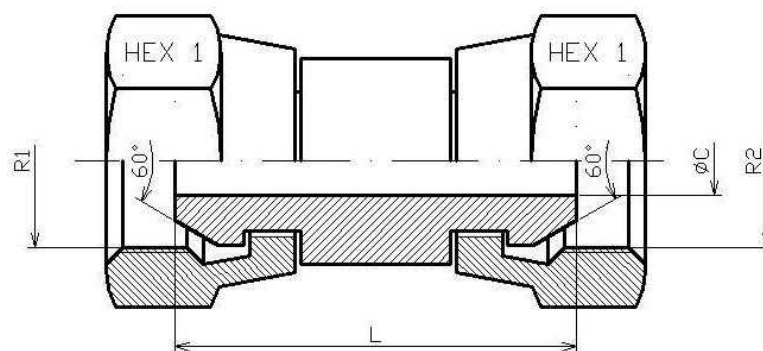
Uniones rectas macho-hembra

Adaptador hembra giratoria - hembra giratoria BSP 60º

Acero Inoxidable AISI 316-L



1/1



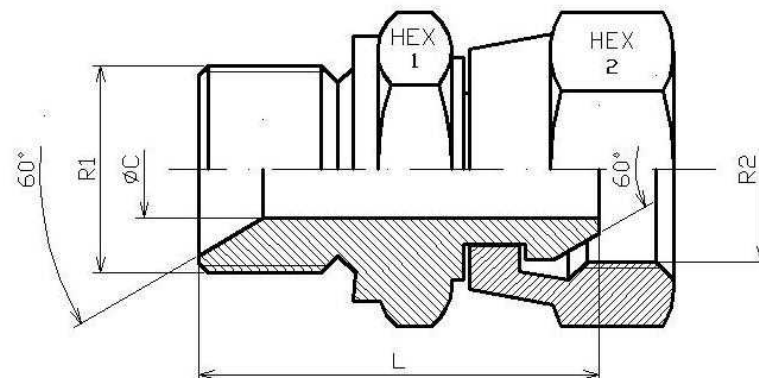
Artículo	R1	R2	L	HEX 1	ØC
Z117204	1/4" BSP	1/4" BSP	26	19	5
Z117206	3/8" BSP	3/8" BSP	28	22	7
Z117208	1/2" BSP	1/2" BSP	31	27	9,5
Z117212	3/4" BSP	3/4" BSP	38	32	15
Z117216	1" BSP	1" BSP	47	41	19
Z117224	1" 1/2 BSP	1" 1/2 BSP	57	55	32

Adaptadores BSP

Uniones rectas macho-hembra

Adaptador macho - hembra giratoria BSP cono 60º**FLUIDAL**

Acero Inoxidable AISI 316-L

1/1

Artículo	R1	R2	L	HEX 1	HEX 2	ØC
Z117004	M 1/4" BSP	H 1/4" BSP	29,5	17	19	4
Z117006	M 3/8" BSP	H 3/8" BSP	32,5	22	22	8
Z117008	M 1/2" BSP	H 1/2" BSP	39	27	27	10
Z117012	M 3/4" BSP	H 3/4" BSP	43	32	32	17,5
Z117016	M 1" BSP	H 1" BSP	53	41	41	22
Z117020	M 1"1/4 BSP	H 1"1/4 BSP	55	50	50	28
Z117024	M 1"1/2 BSP	H 1"1/2 BSP	60	55	55	32
Z117032	M 2" BSP	H 2" BSP	65,5	65	70	46

Adaptadores BSP

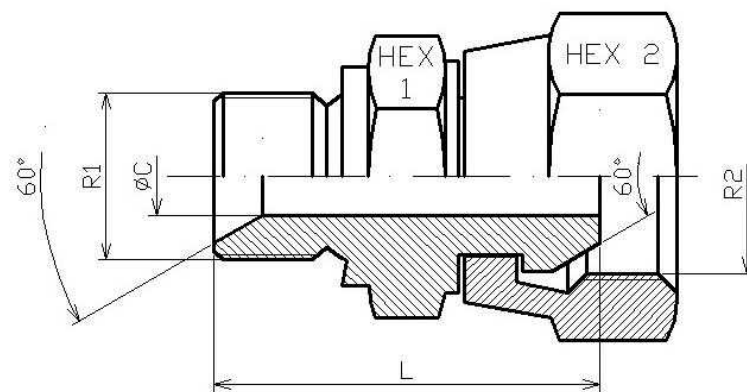
Uniones rectas macho-hembra

Reductor macho - hembra giratoria BSP cono 60°



Acero Inoxidable AISI 316-L

1/1



Artículo	R1	R2	L	HEX 1	HEX 2	ØC
Z11730204	M 1/8" BSP	H 1/4" BSP	26	14	19	5
Z11730406	M 1/4" BSP	H 3/8" BSP	31	19	22	6
Z11730608	M 3/8" BSP	H 1/2" BSP	36	22	27	8
Z11730806	M 1/2" BSP	H 3/8" BSP	38	27	22	12
Z11730812	M 1/2" BSP	H 3/4" BSP	43	27	32	11,1
Z11731216	M 3/4" BSP	H 1" BSP	47	32	41	16
Z11731612	M 1" BSP	H 3/4" BSP	49	41	32	22
Z11731620	M 1" BSP	H 1"1/4 BSP	52,5	41	50	22
Z11732016	M 1" 1/4 BSP	H 1" BSP	54,5	50	41	22
Z11732024	M 1"1/4 BSP	H 1"1/2 BSP	60	50	55	28
Z11732420	M 1" 1/2 BSP	H 1" 1/4 BSP	57	55	50	28
Z11732432	M 1" 1/2 BSP	H 2" BSP	58,5	60	70	33,3
Z11733224	M 2" BSP	H 1" 1/2 BSP	66	65	55	32

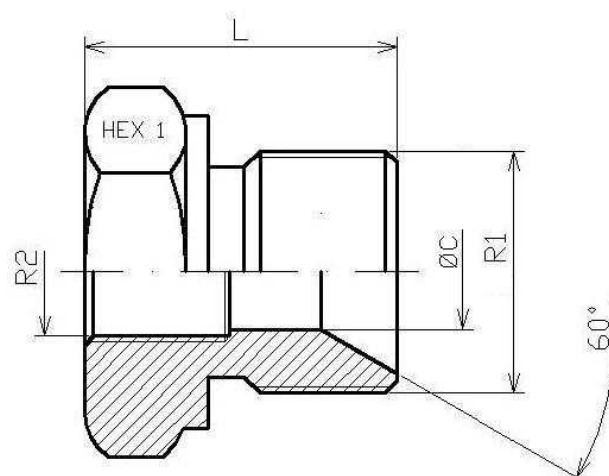
Adaptadores BSP

Uniones rectas macho-hembra

Tapón reductor macho BSP 60° - hembra fija BSP

Acero Inoxidable AISI 316-L

1/1



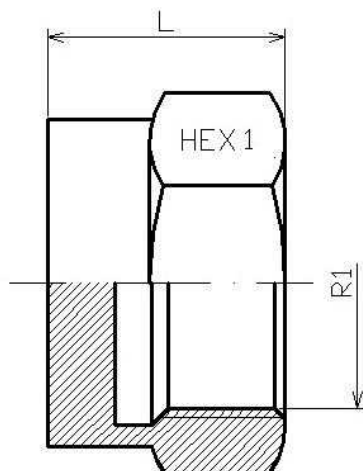
Artículo	R1	R2	L	HEX 1	ØC
Z11500402	M 1/4" BSP	H 1/8" BSP	20	19	6
Z11500602	M 3/8" BSP	H 1/8" BSP	21	22	8
Z11500604	M 3/8" BSP	H 1/4" BSP	21	22	13,6
Z11500804	M 1/2" BSP	H 1/4" BSP	24,5	27	11
Z11500806	M 1/2" BSP	H 3/8" BSP	24,5	27	11
Z11501208	M 3/4" BSP	H 1/2" BSP	29	32	18,6
Z11501608	M 1" BSP	H 1/2" BSP	32	41	18,6
Z11501612	M 1" BSP	H 3/4" BSP	32	41	24,1
Z11502012	M 1 1/4" BSP	H 3/4" BSP	33	50	28,6
Z11502016	M 1 1/4" BSP	H 1" BSP	34	50	30
Z11502416	M 1 1/2" BSP	H 1" BSP	36,5	55	30,9
Z11503216	M 2" BSP	H 1" BSP	41	65	45
Z11503220	M 2" BSP	H 1 1/4" BSP	41	65	45
Z11503224	M 2" BSP	H 1 1/2" BSP	41	65	45

Adaptadores BSP

Tapones

Tapón hembra hexagonal rosca BSP**FLUIDAL**

Acero Inoxidable AISI 316-L

1/1

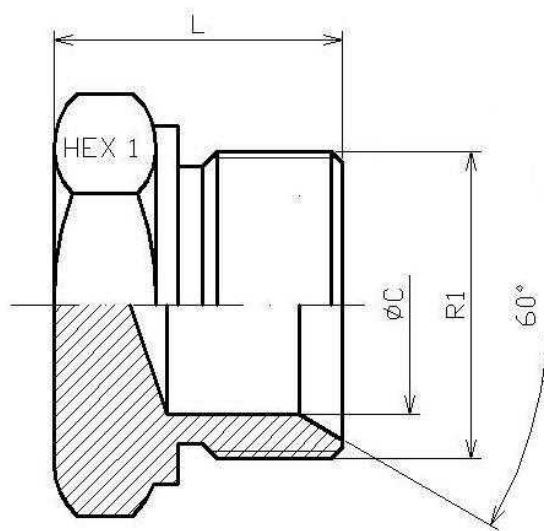
Artículo	R1	L	HEX 1
Z107204	1/4" BSP	22,5	19
Z107206	3/8" BSP	24	22
Z107208	1/2" BSP	22	27
Z107212	3/4" BSP	26	32
Z107216	1" BSP	25	41
Z107220	1"1/4 BSP	30,5	50
Z107224	1"1/2 BSP	30,5	55
Z107232	2" BSP	32	70

Adaptadores BSP

Tapones

Tapón macho hexagonal rosca BSP 60º

Acero Inoxidable AISI 316-L

1/1

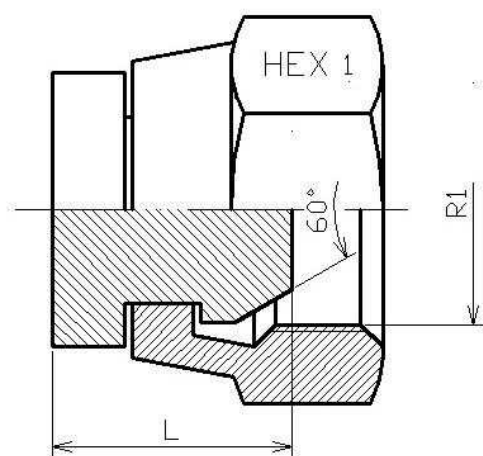
Artículo	R1	L	HEX 1	ØC
Z107002	1/8" BSP	14	14	4
Z107004	1/4" BSP	20	17	6
Z107006	3/8" BSP	21	22	7,9
Z107008	1/2" BSP	25	27	11
Z107012	3/4" BSP	26,5	32	17,5
Z107016	1" BSP	32	41	22
Z107020	1"1/4 BSP	36	50	28
Z107024	1"1/2 BSP	38	55	33
Z107032	2" BSP	39	65	37

Adaptadores BSP

Tapones

Tapón hembra giratoria BSP cono 60°**FLUIDAL**

Acero Inoxidable AISI 316-L

1/1

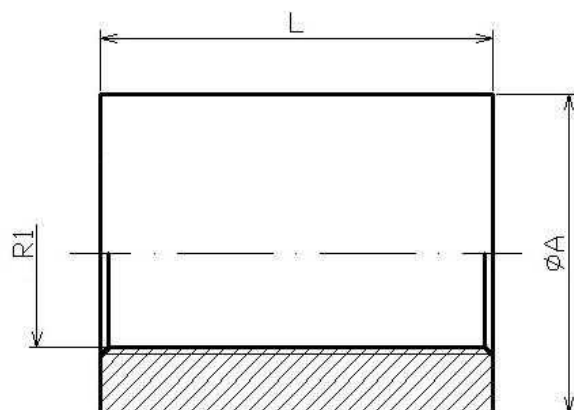
Artículo	R1	L	HEX 1
Z107504	1/4" BSP	14	19
Z107506	3/8" BSP	15	22
Z107508	1/2" BSP	16	27
Z107512	3/4" BSP	20	32
Z107516	1" BSP	23,5	41
Z107520	1" 1/4 BSP	25,5	50
Z107524	1" 1/2 BSP	30,5	55
Z107532	2" BSP	25	70

Adaptadores BSP

Uniones hembra y pasatabiques

Manguito redondo roscado hembra BSP

Acero Inoxidable AISI 316-L

1/1

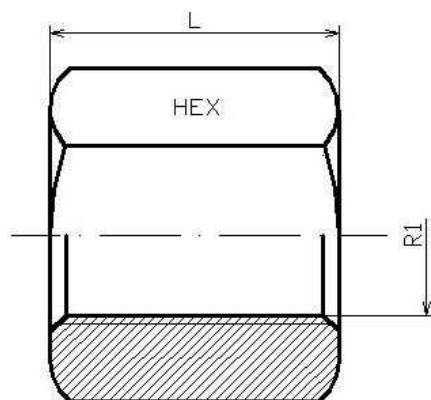
Artículo	R1	L	ØA
Z131002	1/8" BSP	21	14
Z131004	1/4" BSP	23	20
Z131006	3/8" BSP	31	24
Z131008	1/2" BSP	35	30
Z131010	5/8" BSP	35	30
Z131012	3/4" BSP	45	34
Z131016	1" BSP	50	42
Z131020	1"1/4 BSP	55	50
Z131024	1"1/2 BSP	55	56
Z131032	2" BSP	65	70

Adaptadores BSP

Uniones hembra y pasatabiques

Manguito hexagonal roscado hembra BSP**FLUIDAL**

Acero Inoxidable AISI 316-L

1/1

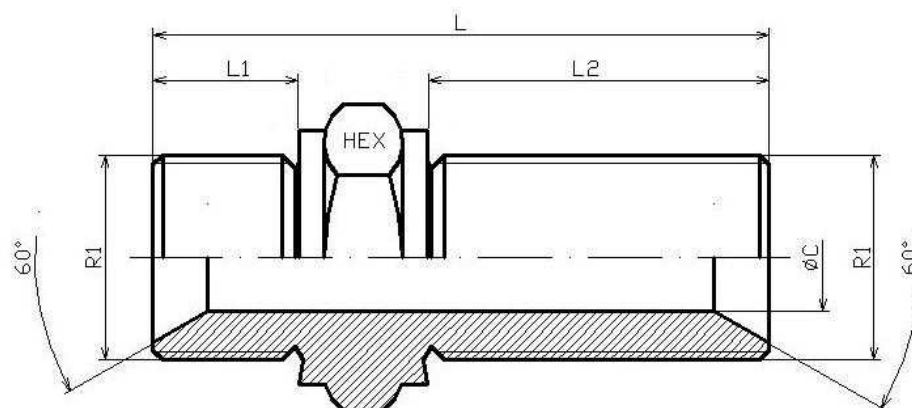
Artículo	R1	L	HEX 1
Z103104	1/4" BSP	23	22
Z103106	3/8" BSP	31	24
Z103108	1/2" BSP	35	30
Z103112	3/4" BSP	45	36
Z103116	1" BSP	50	41
Z103120	1"1/4 BSP	55	50
Z103124	1"1/2 BSP	56	60

Adaptadores BSP

Uniones hembra y pasatabiques

Pasatabiques sin tuerca BSP cono 60°

Acero Inoxidable AISI 316-L

1/1

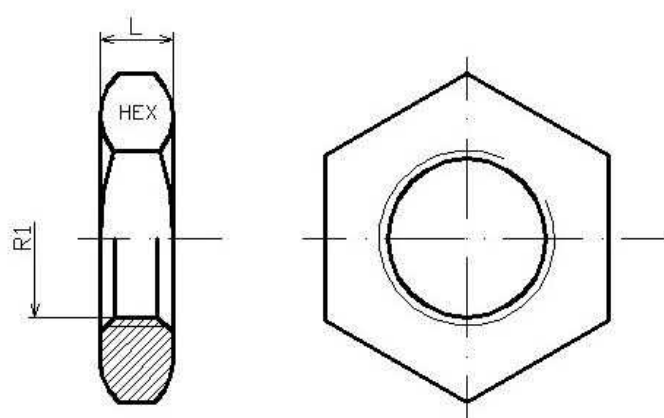
Artículo	R1	L	L1	L2	HEX 1	ØC
Z116004	1/4" BSP	47	11	26	17	4,7
Z116006	3/8" BSP	55,5	12,5	32	22	8
Z116008	1/2" BSP	63	15	35	27	11
Z116012	3/4" BSP	64,5	16	35,5	32	16,7
Z116016	1" BSP	76	19	41	41	22
Z116020	1" 1/4 BSP	83	21	46	50	28
Z116024	1" 1/2 BSP	89	22	48	55	33
Z116032	2" BSP	94	25	48	70	46

Adaptadores BSP

Uniones hembra y pasatabiques

Tuerca pasatabiques BSP**FLUIDAL**

Acero Inoxidable AISI 316-L

1/1

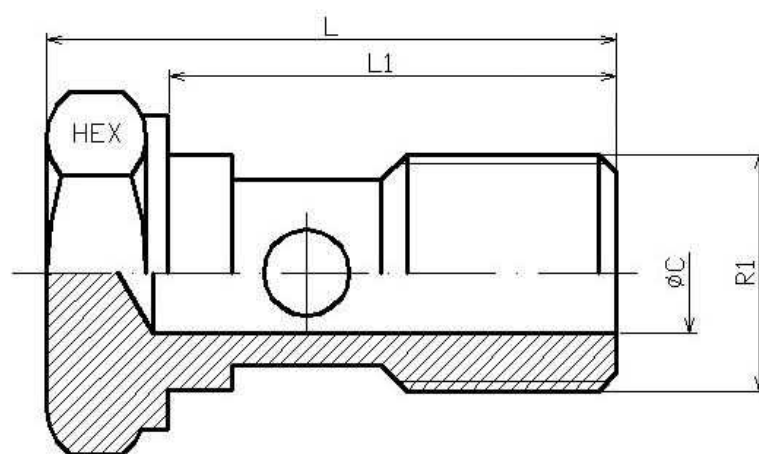
Artículo	R1	L	HEX 1
Z116104	1/4" BSP	7	19
Z116106	3/8" BSP	7	22
Z116108	1/2" BSP	8	27
Z116112	3/4" BSP	9	32
Z116116	1" BSP	11	41
Z116120	1" 1/4 BSP	13	50
Z116124	1" 1/2 BSP	15	55
Z116132	2" BSP	20	70

Adaptadores BSP

Orientables

Tornillo orientable simple BSP

Acero Inoxidable AISI 316-L

1/1

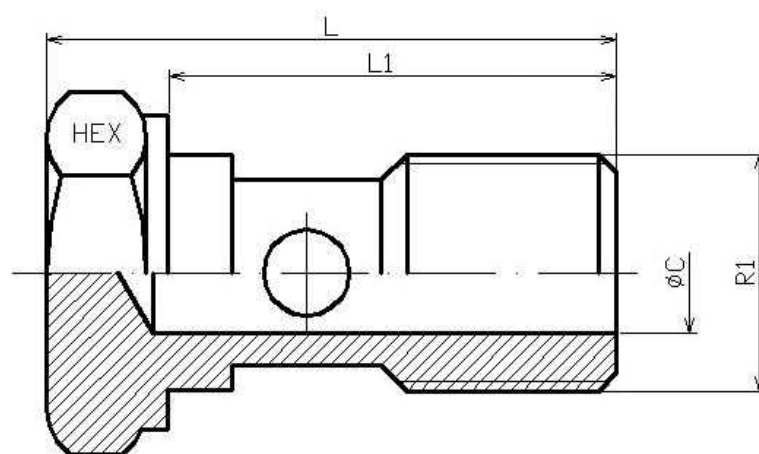
Artículo	R1	L	L1	HEX 1	ØC
Z109004	1/4" BSP	34	26,5	19	6
Z109006	3/8" BSP	40	31,5	22	8,5
Z109008	1/2" BSP	52	40	27	11
Z109012	3/4" BSP	59	47	32	15
Z109016	1" BSP	71	57	41	17,5

Adaptadores BSP

Orientables

Tornillo orientable simple Métrico**FLUIDAL**

Acero Inoxidable AISI 316-L

1/1

Artículo	R1	L	L1	HEX 1	ØC
Z109212	M12X1.5	30,5	24	17	6
Z109214	M14X1.5	35	27	19	8
Z109216	M16X1.5	41	31	22	9
Z109218	M18X1.5	44	34	24	10
Z109222	M22X1.5	51,5	40	27	12,5
Z109226	M26X1.5	58	46	32	16
Z109230	M30X1.5	58	46	36	19

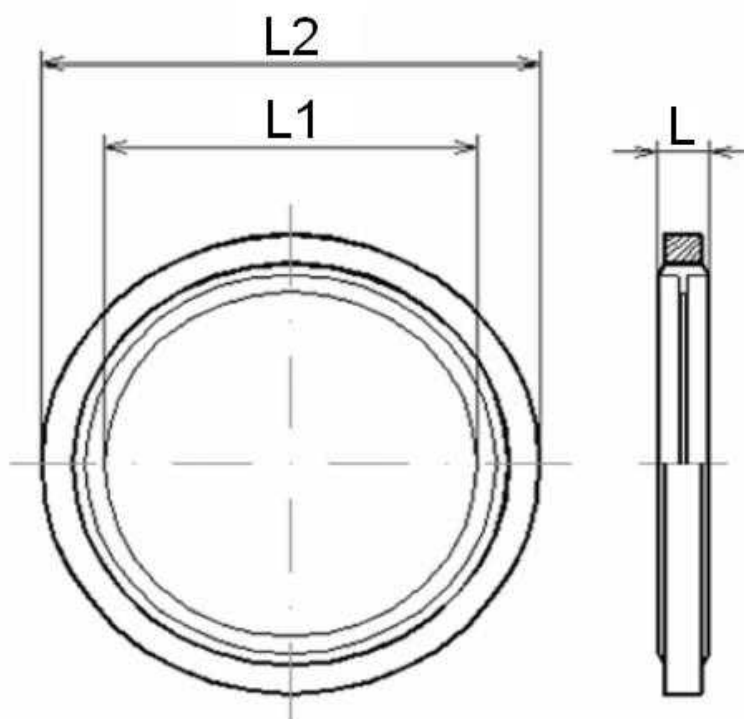
Adaptadores BSP

Juntas metal FKM y arandelas

Juntas metal FKM Gas



1/1



Materiales ·Arandela: Acero inoxidable 316L
·Junta: FKM

Temperatura de trabajo De -10°C a +200°C

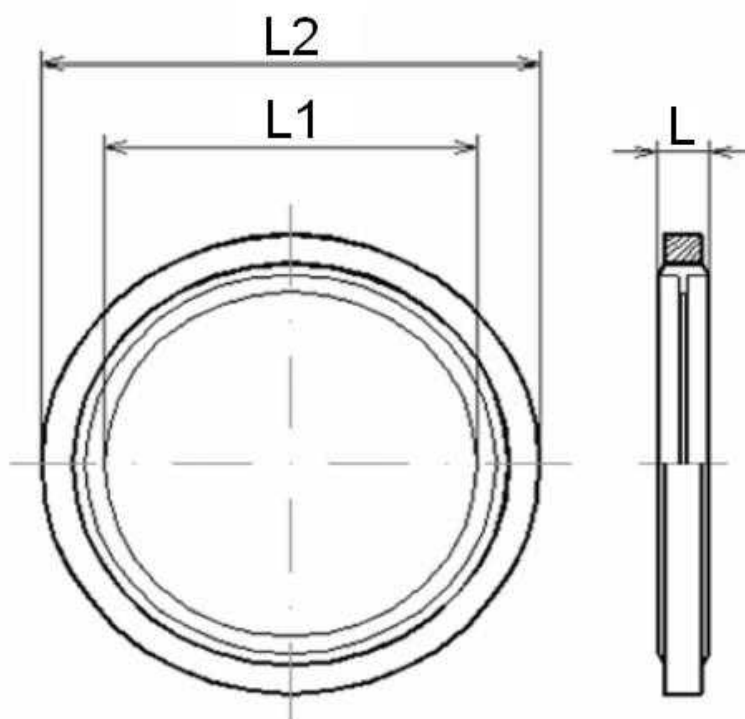
Artículo	R1	Presión de trabajo (bar)	L	L1	L2
ZVT21002	1/8" BSP	1480	2	10,37	15,88
ZVT21004	1/4" BSP	1540	2	13,74	20,57
ZVT21006	3/8" BSP	1230	2	17,28	23,8
ZVT21008	1/2" BSP	1120	2	21,54	28,58
ZVT21010	5/8" BSP	1240	2,5	23,49	31,75
ZVT21012	3/4" BSP	1050	2	27,05	34,93
ZVT21016	1" BSP	780	2,5	33,89	42,8
ZVT21020	1" 1/4 BSP	690	2,5	42,93	52,38
ZVT21024	1" 1/2 BSP	690	2,5	48,44	58,6
ZVT21032	2"	720	2,5	60,58	73,03

Adaptadores BSP

Juntas metal FKM y arandelas

Juntas metal FKM Métricas**FLUIDAL**

1/1



Materiales ·Arandela: Acero inoxidable 316L
·Junta: Vitón

Temperatura de trabajo De -10°C a +200°C

Artículo	R1	Presión de trabajo (bar)	L	L1	L2
ZVT32010	M10X1	1350	1.5	10.7	16
ZVT32012	M12X1,5	1680	1.5	12.7	18
ZVT32014	M14X1,5	1510	1.5	14.7	22
ZVT32016	M16X1,5	1400	1.5	16.7	24
ZVT32018	M18X1,5	1275	1.5	18.7	26
ZVT32020	M20X1,5	1150	1.5	20.7	28
ZVT32022	M22X1,5	1100	2	22.7	30
ZVT32024	M24X1.5	1050	2	24.7	32
ZVT32026	M26X1.5	1050	2	26.7	35
ZVT32030	M30X2	860	2	31	39
ZVT32036	M36X2	880	2	36.7	46
ZVT32042	M42X2	940	3	42.7	53

Adaptadores BSP

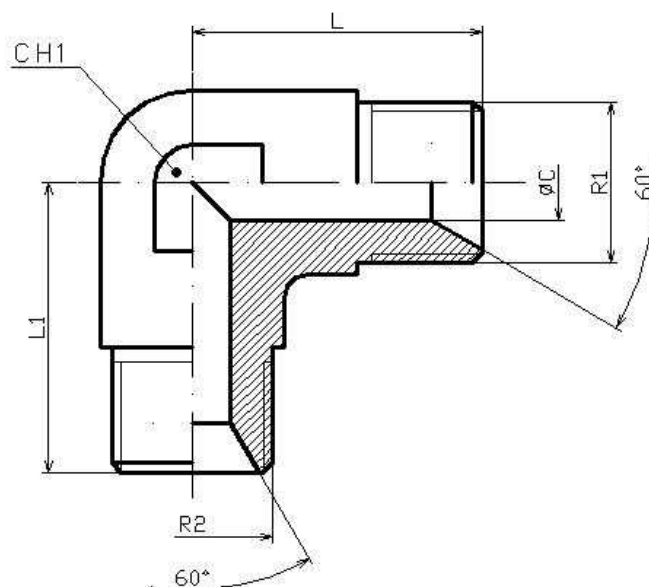
Codos en forja

Codo 90º macho - macho BSP cono 60º



Acero Inoxidable AISI 316-L

1/1



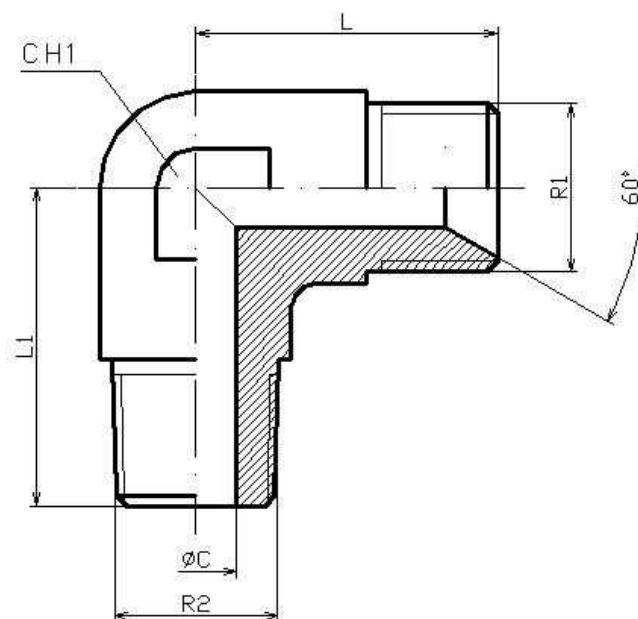
Artículo	R1	R2	L	L1	CH1	ØC
Z1190002	1/8" BSP	1/8" BSP	25,4	25,4	14	3,5
Z1190004	1/4" BSP	1/4" BSP	25,4	25,4	14	5
Z1190006	3/8" BSP	3/8" BSP	28,5	28,5	20	8
Z1190008	1/2" BSP	1/2" BSP	32,5	32,5	24	11
Z1190012	3/4" BSP	3/4" BSP	41,3	41,3	28	16
Z1190016	1" BSP	1" BSP	44,5	44,5	36	22
Z1190020	1"1/4 BSP	1"1/4 BSP	50,8	50,8	41	28
Z1190024	1"1/2 BSP	1"1/2 BSP	54	54	41	30

Adaptadores BSP

Codos en forja

Codo 90° macho BSP 60° - macho BSPT**FLUIDAL**

Acero Inoxidable AISI 316-L

1/1

Artículo	R1	R2	L	L1	CH1	ØC
Z119202	1/8" BSP	1/8" BSPT	25,4	24,5	14	3,5
Z119204	1/4" BSP	1/4" BSPT	25,4	26	14	6
Z119206	3/8" BSP	3/8" BSPT	28,5	28	20	8
Z119208	1/2" BSP	1/2" BSPT	32,5	34,5	27	11
Z119212	3/4" BSP	3/4" BSPT	41,3	39	28	18
Z119216	1" BSP	1" BSPT	44,5	50,5	36	22
Z119220	1"1/4 BSP	1"1/4 BSPT	50,8	54	41	28
Z119224	1" 1/2 BSP	1" 1/2 BSPT	54	54	41	30

Adaptadores BSP

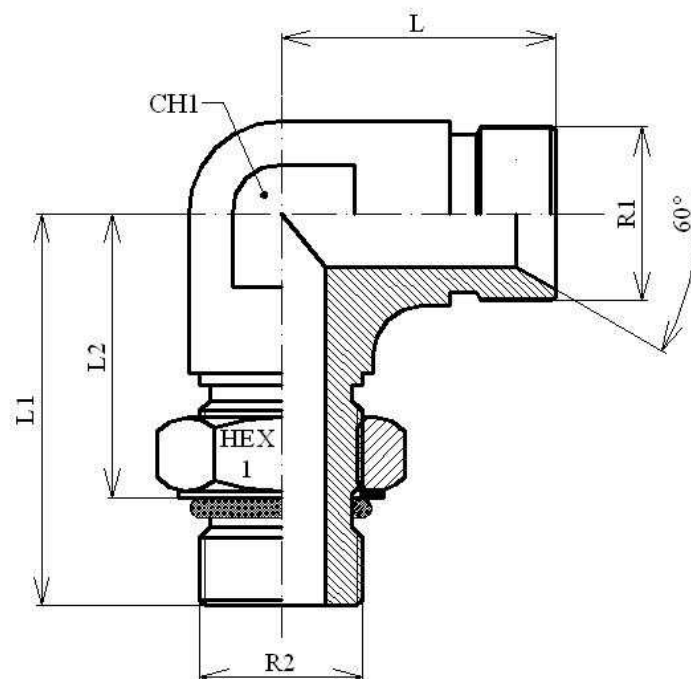
Codos en forja

Codo 90º regulable macho - macho BSP



Acero Inoxidable AISI 316-L

1/1



Artículo	R1	R2	L	L1	L2	HEX 1	CH1	ØC
Z119704	1/4" BSP	1/4" BSP	27	31,5	22	19	14	14
Z119706	3/8" BSP	3/8" BSP	31,5	37	27,5	22	18,5	20
Z119708	1/2" BSP	1/2" BSP	36,5	43	32	27	24	24
Z119712	3/4" BSP	3/4" BSP	40	49	34,5	36	28	28
Z119716	1" BSP	1" BSP	50	52	38	41	36	36

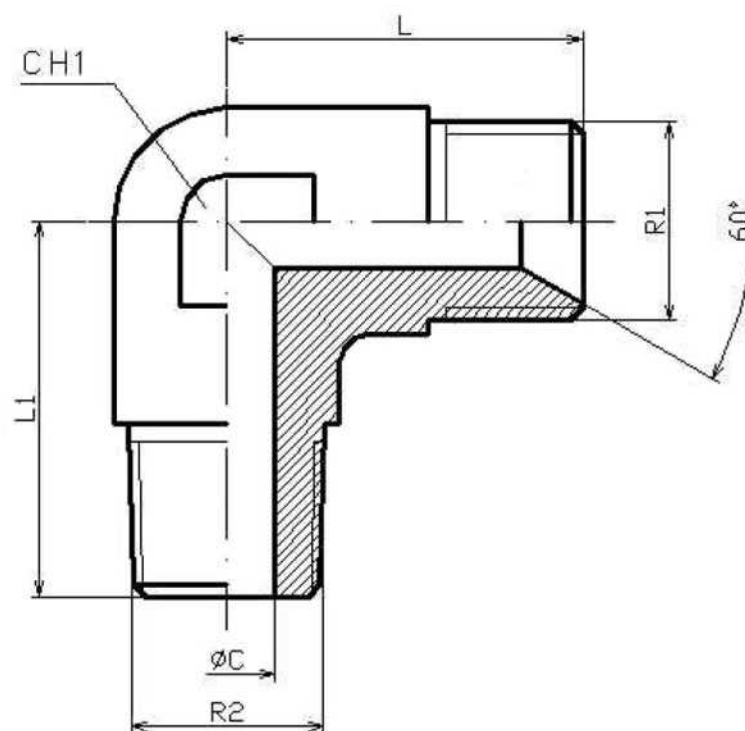
Adaptadores BSP

Codos en forja

Codo 90º macho BSP 60º - macho NPT



1/1



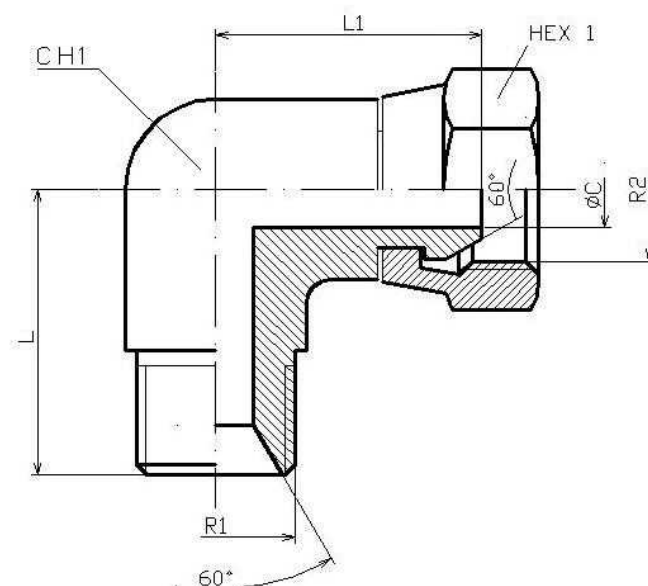
Artículo	R1	R2	L	L1	CH1	ØC
Z11910404	1/4" BSP	1/4" NPT	25.4	26	14	6
Z11910606	3/8" BSP	3/8" NPT	28.5	28	20	8
Z11910808	1/2" BSP	1/2" NPT	32.5	34.5	27	11
Z11911212	3/4" BSP	3/4" NPT	41.3	39	28	18
Z11911616	1" BSP	1" NPT	69	50.5	36	22

Adaptadores BSP

Codos en forja

Codo 90° macho - hembra giratoria BSP cono 60°**FLUIDAL**

Acero Inoxidable AISI 316-L

1/1

Artículo	R1	R2	L	L1	HEX 1	CH1	ØC
Z119302	M 1/8" BSP	H 1/8" BSP	25,4	25,4	14	14	3,5
Z119304	M 1/4" BSP	H 1/4" BSP	25,4	25,8	19	14	5
Z119306	M 3/8" BSP	H 3/8" BSP	28,5	29	22	20	8
Z119308	M 1/2" BSP	H 1/2" BSP	32,5	34,5	27	24	11
Z119312	M 3/4" BSP	H 3/4" BSP	41,3	43	32	28	16
Z119316	M 1" BSP	H 1" BSP	44,5	50,5	41	36	22
Z119320	M 1"1/4 BSP	H 1"1/4 BSP	50,8	52,9	50	41	28
Z119324	M 1"1/2 BSP	H 1"1/2 BSP	54	54	55	41	30

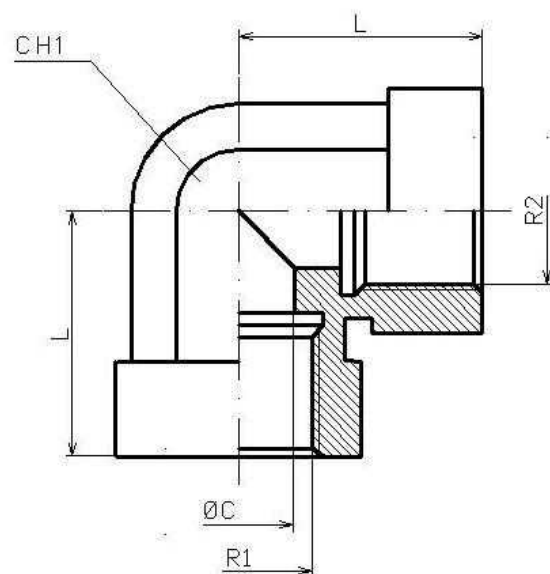
Adaptadores BSP

Codos en forja

Codo 90° hembra fija - hembra fija BSP

Acero Inoxidable AISI 316-L

1/1



Artículo	R1	R2	L	CH1	ØC
Z119602	1/8" BSP	1/8" BSP	21,5	12	6
Z119604	1/4" BSP	1/4" BSP	28,5	20	8
Z119606	3/8" BSP	3/8" BSP	35	24	12
Z119608	1/2" BSP	1/2" BSP	37	28	17,5
Z119612	3/4" BSP	3/4" BSP	45	28	16
Z119616	1" BSP	1" BSP	50,75	36	25

Adaptadores BSP

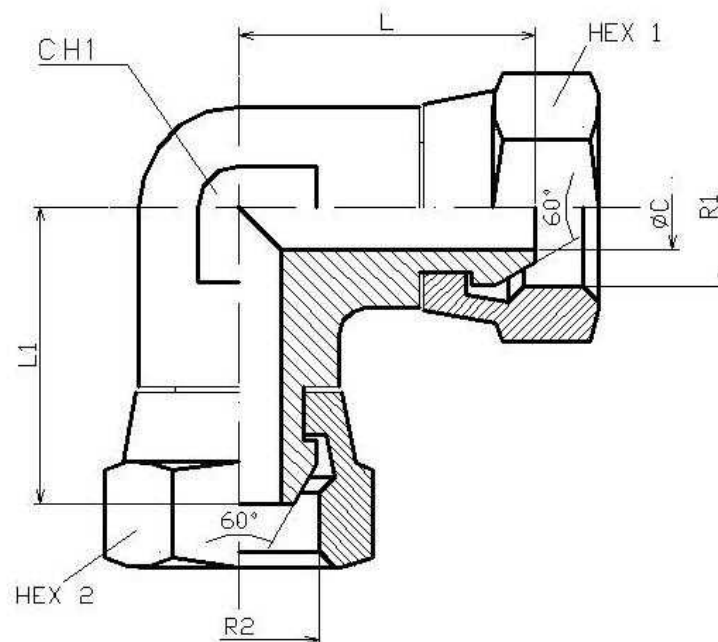
Codos en forja

Codo 90° hembra giratoria - hembra giratoria BSP cono 60°

Acero Inoxidable AISI 316-L



1/1



Artículo	R1	R2	L	L1	HEX 1	HEX 2	CH1	ØC
Z119804	1/4" BSP	1/4" BSP	25,8	25,8	19	19	14	5
Z119806	3/8" BSP	3/8" BSP	29	29	22	22	20	8
Z119808	1/2" BSP	1/2" BSP	34,5	34,5	27	27	24	11
Z119812	3/4" BSP	3/4" BSP	43	43	32	32	28	16
Z119816	1" BSP	1" BSP	50,5	50,5	41	41	36	22
Z119820	1" 1/4 BSP	1" 1/4 BSP	52,9	52,9	50	50	41	28
Z119824	1"1/2 BSP	1"1/2 BSP	54	54	55	55	41	30

Adaptadores BSP

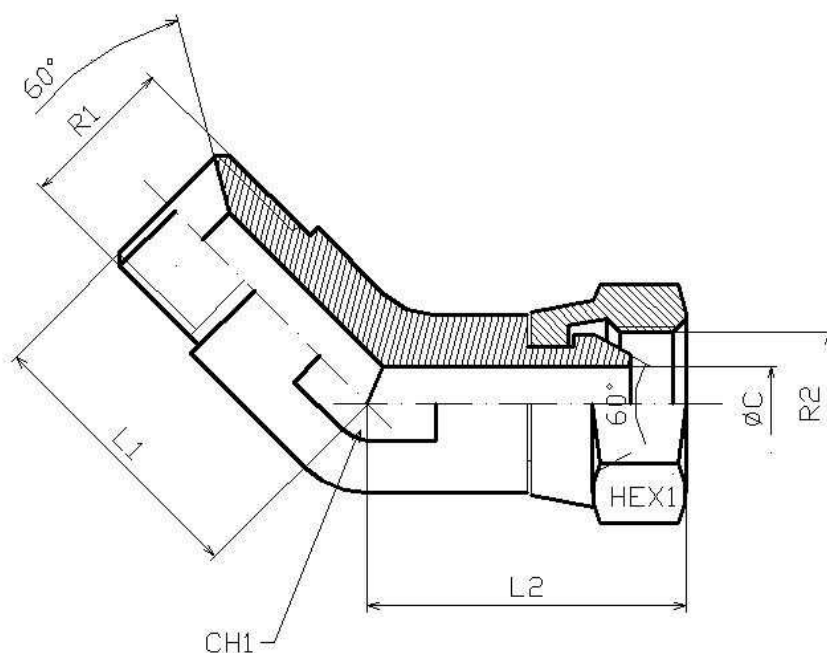
Codos en forja

Codo 45° macho - hembra giratoria BSP cono 60°



Acero Inoxidable AISI 316-L

1/1



Artículo	R1	R2	L1	L2	HEX 1	CH1	ØC
Z118304	M 1/4" BSP	H 1/4" BSP	21	28	19	14	4,7
Z118306	M 3/8" BSP	H 3/8" BSP	25	32	22	19	7,9
Z118308	M 1/2" BSP	H 1/2" BSP	28	33	27	22	11,1
Z118312	M 3/4" BSP	H 3/4" BSP	32	43,5	32	27	16,7
Z118316	M 1" BSP	H 1" BSP	37	47,5	41	33	22,2

Adaptadores BSP

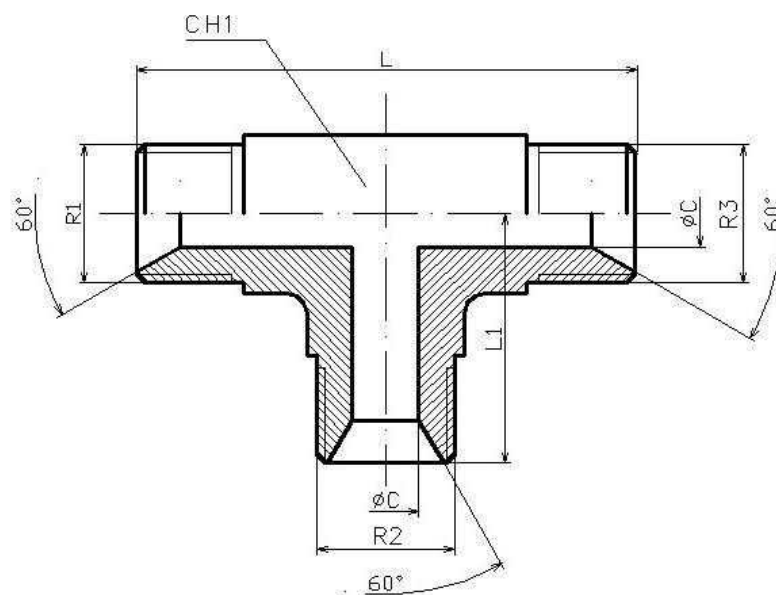
TES en forja

TES macho - macho - macho BSP cono 60º

Acero Inoxidable AISI 316-L



1/1



Artículo	R1	R2	R3	L	L1	CH1	ØC
Z122004	1/4" BSP	1/4" BSP	1/4" BSP	50,8	25,4	14	5
Z122006	3/8" BSP	3/8" BSP	3/8" BSP	50,8	25,4	20	8
Z122008	1/2" BSP	1/2" BSP	1/2" BSP	61	30,5	24	11
Z122012	3/4" BSP	3/4" BSP	3/4" BSP	76,2	38,1	28	16
Z122016	1" BSP	1" BSP	1" BSP	89	44,5	36	22
Z122020	1"1/4 BSP	1"1/4 BSP	1"1/4 BSP	101,6	50,8	41	28
Z122024	1"1/2 BSP	1"1/2 BSP	1"1/2 BSP	108	54	41	30

Adaptadores BSP

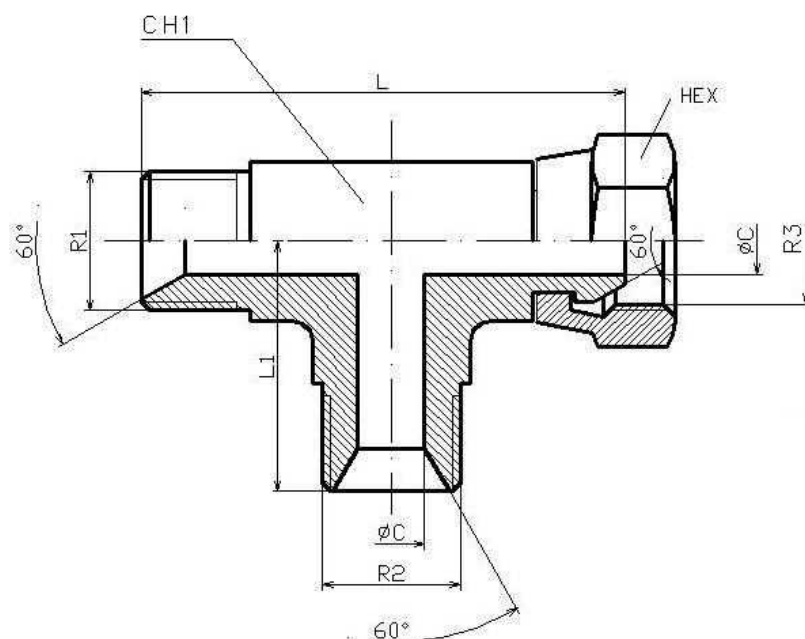
TES en forja

TES macho - macho - hembra giratoria BSP 60°



Acero Inoxidable AISI 316-L

1/1



Artículo	R1	R2	R3	L	L1	HEX 1	CH1	ØC
Z122204	M 1/4" BSP	M 1/4" BSP	H 1/4" BSP	51,2	25,4	19	14	5
Z122206	M 3/8" BSP	M 3/8" BSP	H 3/8" BSP	54,4	25,4	22	20	8
Z122208	M 1/2" BSP	M 1/2" BSP	H 1/2" BSP	64,5	30,5	27	24	11
Z122212	M 3/4" BSP	M 3/4" BSP	H 3/4" BSP	81,1	38,1	32	28	16
Z122216	M 1" BSP	M 1" BSP	H 1" BSP	95	44,5	41	36	22
Z122220	M 1"1/4 BSP	M 1"1/4 BSP	H 1"1/4 BSP	103,7	50,8	50	41	28
Z122224	M 1"1/2 BSP	M 1"1/2 BSP	H 1"1/2 BSP	108	54	55	41	30

Adaptadores BSP

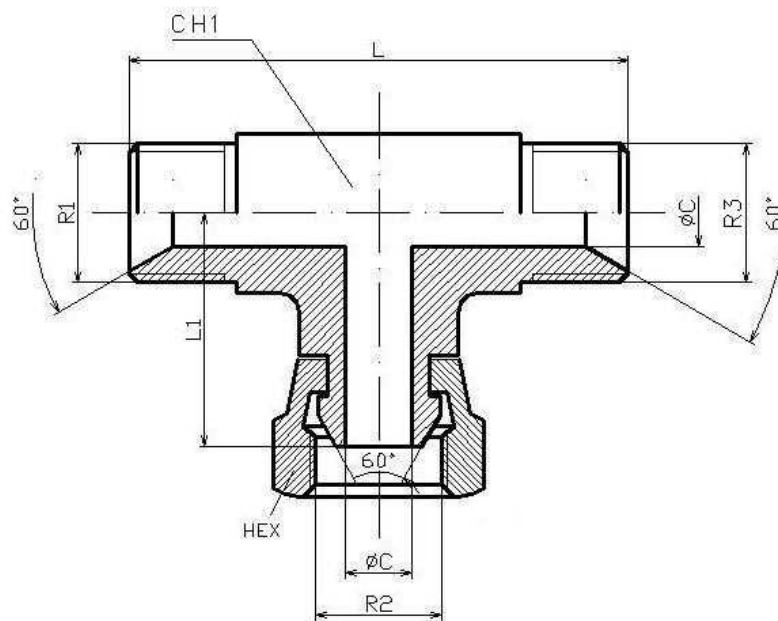
TES en forja

TES macho - hembra giratoria - macho BSP 60º



Acero Inoxidable AISI 316-L

1/1



Artículo	R1	R2	R3	L	L1	HEX 1	CH1	ØC
Z122404	M 1/4" BSP	H 1/4" BSP	M 1/4" BSP	50,8	25,8	19	14	5
Z122406	M 3/8" BSP	H 3/8" BSP	M 3/8" BSP	50,8	29	22	20	8
Z122408	M 1/2" BSP	H 1/2" BSP	M 1/2" BSP	61	34,5	27	24	11
Z122412	M 3/4" BSP	H 3/4" BSP	M 3/4" BSP	76,2	43	32	28	16
Z122416	M 1" BSP	H 1" BSP	M 1" BSP	89	50,5	41	36	22
Z122420	M 1"1/4 BSP	H 1"1/4 BSP	M 1"1/4 BSP	101,6	52,9	50	41	28
Z122424	M 1"1/2 BSP	H 1"1/2 BSP	M 1"1/2 BSP	108	54	55	41	30

Adaptadores BSP

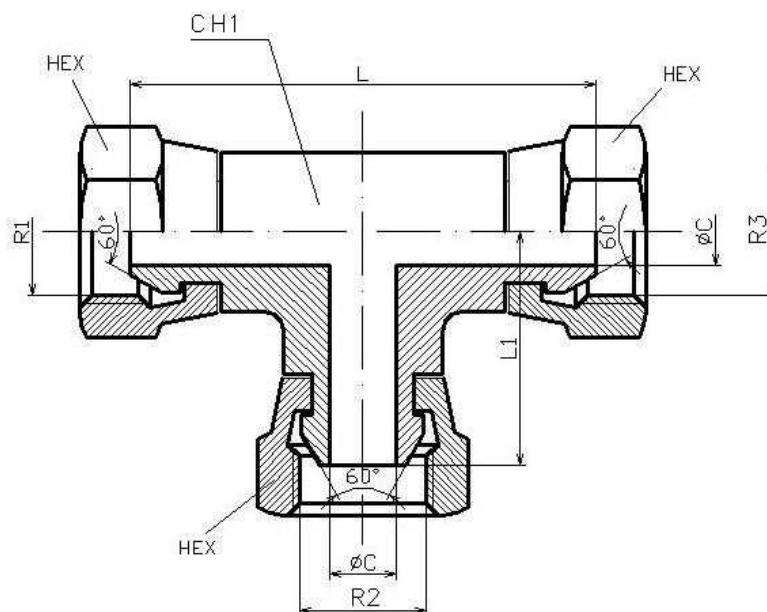
TES en forja

TES hembras giratorias BSP cono 60º



Acero Inoxidable AISI 316-L

1/1



Artículo	R1	R2	R3	L	L1	HEX 1	CH1	ØC
Z122804	1/4" BSP	1/4" BSP	1/4" BSP	51,6	25,8	19	14	5
Z122806	3/8" BSP	3/8" BSP	3/8" BSP	58	29	22	20	8
Z122808	1/2" BSP	1/2" BSP	1/2" BSP	69	34,5	27	24	11
Z122812	3/4" BSP	3/4" BSP	3/4" BSP	86,6	43,3	32	28	15
Z122816	1" BSP	1" BSP	1" BSP	101	50,5	41	25	22
Z122820	1"1/4 BSP	1"1/4 BSP	1"1/4 BSP	105,8	52,9	50	41	28
Z122824	1"1/2 BSP	1"1/2 BSP	1"1/2 BSP	108	54	55	41	30

Adaptadores BSP

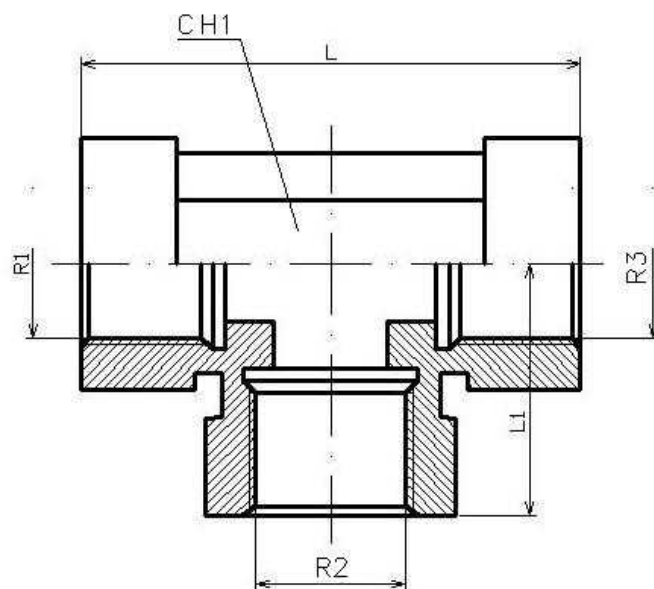
TES en forja

TES hembras fijas BSP

Acero Inoxidable AISI 316-L



1/1



Artículo	R1	R2	R3	L	L1	CH1	ØC
Z122604	1/4" BSP	1/4" BSP	1/4" BSP	57	28,5	20	10
Z122606	3/8" BSP	3/8" BSP	3/8" BSP	70	35	24	12
Z122608	1/2" BSP	1/2" BSP	1/2" BSP	74	37	28	17,5
Z122612	3/4" BSP	3/4" BSP	3/4" BSP	90	45	28	16
Z122616	1" BSP	1" BSP	1" BSP	101,5	50,75	36	25